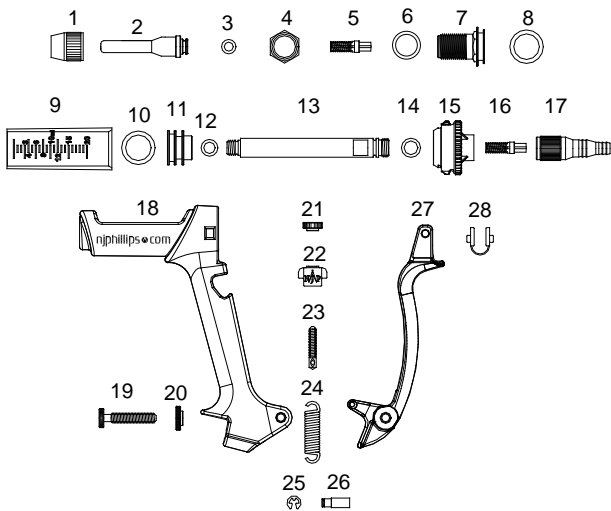




- Light weight, compact, well balanced and robust design.
- Compatible with most agricultural chemicals.
- Comes with Stream Splatter Nozzle (WX1549).
- Easy access to piston and valves for servicing.
- Simple dose adjustment system.
- Service kits & nozzle kits available.



PARTS BREAKDOWN



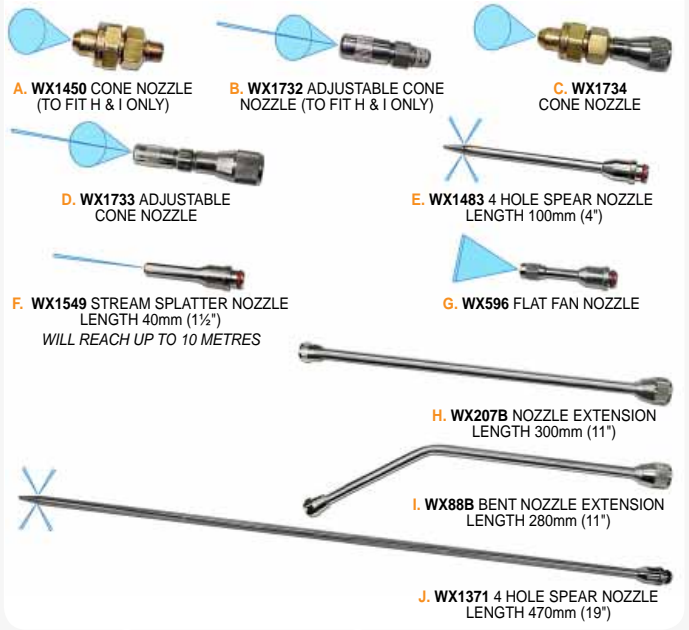
- | | | |
|---|-------------------------------------|--|
| 1. Nozzle Nut (SN4) | 15. Push Rod Guide (SH1397) | |
| 2. Spray-Stream Nozzle (SN540) | 16. Inlet Valve Assembly (WX291) | |
| 3. Nozzle Seal Ring (SP585) | 17. Inlet Adaptor (SN451) | |
| 4. Delivery Cage Lock Nut (SN5) | 18. Handle (SA84) | |
| 5. Delivery Valve Assembly (WX291) | 19. Dose Adjustor Screw (SN498) | |
| 6. Nozzle Nut Retaining Seal Ring (SP176) | 20. Dose Adjustor Lock Nut (SN499) | |
| 7. Delivery Valve Cage (SN496) | 21. Adjustor Nut (SN60/N) | |
| 8. Cylinder Seal Ring (SP890) | 22. Trunnion (SN14) | |
| 9. Cylinder (SH1193A) | 23. Spring Adjustor Spindle (SN497) | |
| 10. Piston Seal Ring (SP890) | 24. Return Spring (SP134) | |
| 11. Piston (SH677) | 25. Lever Pivot Pin Clip (SP83) | |
| 12. Push Rod Seal Ring (SP570) | 26. Lever Pivot Pin (SM679) | |
| 13. Push Rod (SN392) | 27. Lever (SA51/H5) | |
| 14. Inlet Adaptor Seal Ring (SP582) | 28. Lever Pads (SP1210) | |

MODEL	DOSE RANGE	INCREMENTS
20ml	1ml – 20ml	1ml

KIT NO.	PART NAME	PART NO.
WX1444	Major Service Kit	3,5,6,8,9,10,11,12,14,15,16,24,25,28.
WX1364	Minor Service Kit	3,5,6,8,10,11,12,14,24,25,28.
WX1371	Spear	J.

PLEASE ORDER BY KIT AND PART NAME

NOZZLES AVAILABLE



Customise this instrument with your brand colour and logo. Contact us for details.



phillipsgreen.com
Our expertise is in your hands.

LOCKED BAG 8, GOSFORD NSW, AUSTRALIA 2250

P +61 2 4340 2044 F +61 2 4340 1991 | E njp1@njphillips.com.au