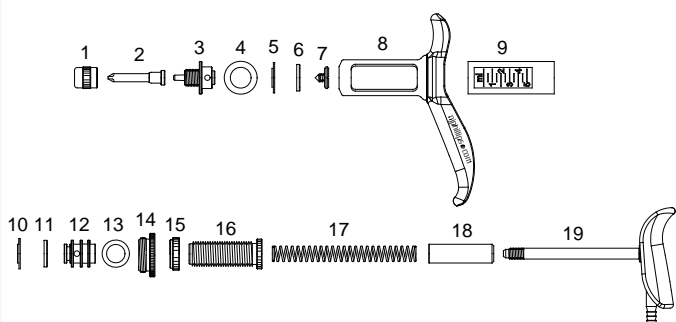




- Purpose designed.
- Special washers and o-rings, compatible with most agricultural chemicals.
- Chemical resistant cylinder.
- Graduated from 1ml to 5ml.



PARTS BREAKDOWN



- | | |
|---------------------------------|-----------------------------------|
| 1. Nozzle Nut (SN25) | 11. Cup Support Washer (SN56) |
| 2. Spray Nozzle (68XN63) | 12. Piston (SN113) |
| 3. Delivery Valve Cage (68N100) | 13. Piston Seal Ring (SP29) |
| 4. Head Seal Washer (SH45A) | 14. Cylinder Lock Nut (SN74) |
| 5. Plunger Washer (SF4) | 15. Dose Adjustor Lock Nut (SN73) |
| 6. Cup Support Washer (SN56) | 16. Dose Adjustor (SN72) |
| 7. Delivery Valve Screw (SN54) | 17. Return Spring (SP145) |
| 8. Body (SXX29) | 18. Spring Cover Plate (AN199) |
| 9. Cylinder (SH1502) | 19. Push Rod Assembly (SXX30A) |
| 10. Plunger Washer (SF4) | |

MODEL	DOSE RANGE	INCREMENTS	CODE
5ml	0.5ml – 5ml	0.5ml	PAS118
5ml plus 2.5L Backpack	0.5ml – 5ml	0.5ml	PAS37C

NOZZLE AVAILABLE



ACCESSORIES



KIT NO.	PART NAME	PART NO.
WX110	Major Service Kit	4,5,6,9,10,11,13.
WX260	Minor Service Kit	4,5,6,10,11,13.
WX1707	Extension Nozzle	See 'Nozzle Available'.

PLEASE ORDER BY KIT AND PART NAME



Customise this instrument with your brand colour and logo. Contact us for details.



phillipsgreen.com
Our expertise is in your hands.

LOCKED BAG 8, GOSFORD NSW, AUSTRALIA 2250

P +61 2 4340 2044 F +61 2 4340 1991 | E njp1@njphillips.com.au